

Installation guide:

Fixation of RAM03 to the vehicle floor



Step 1. Preparation of the vehicle body and fixation plate

Clean vehicle floor before installation. Surface must be clean, dry and free from all traces of grease, oil and dust. Use Betaclean (cleaner) or Formoa surface activator to degrease the vehicle's floor and the bottom side of the fixation plate.



Step 2. Primmering (only for Beta products)

Apply Betaprime on the vehicle's floor and also on bottom side of the fixation plate. Primer can be applied with a brush or roller. Contact surfaces (of vehicle floor and fixation plate) must be covered by Betaprime.



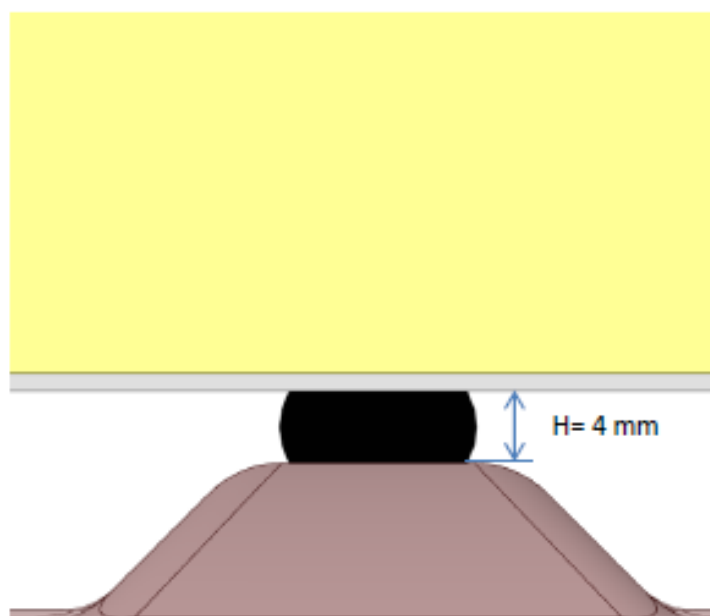
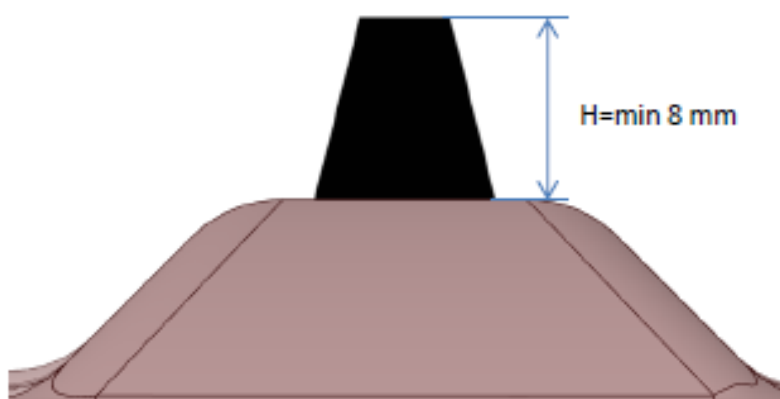
Step 3. Gluing

Don't walk on the primered surfaces. Use a piece of carton for protection. Apply Betamate or Formoa glue on raised floor ribs of vehicle floor in the place where the bench is attached.

(only for Beta products)

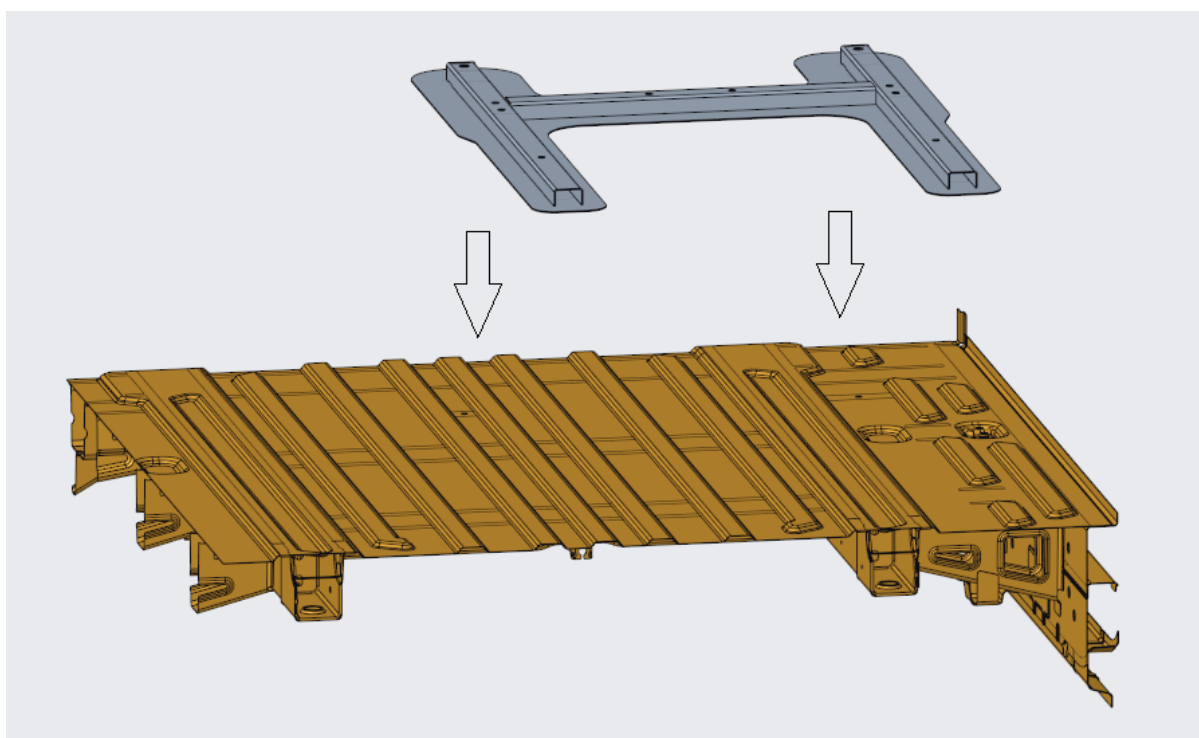
Primer should be dry. The adhesive must be applied on the surfaces coated previously by Betaprime.

Recommended glue bead



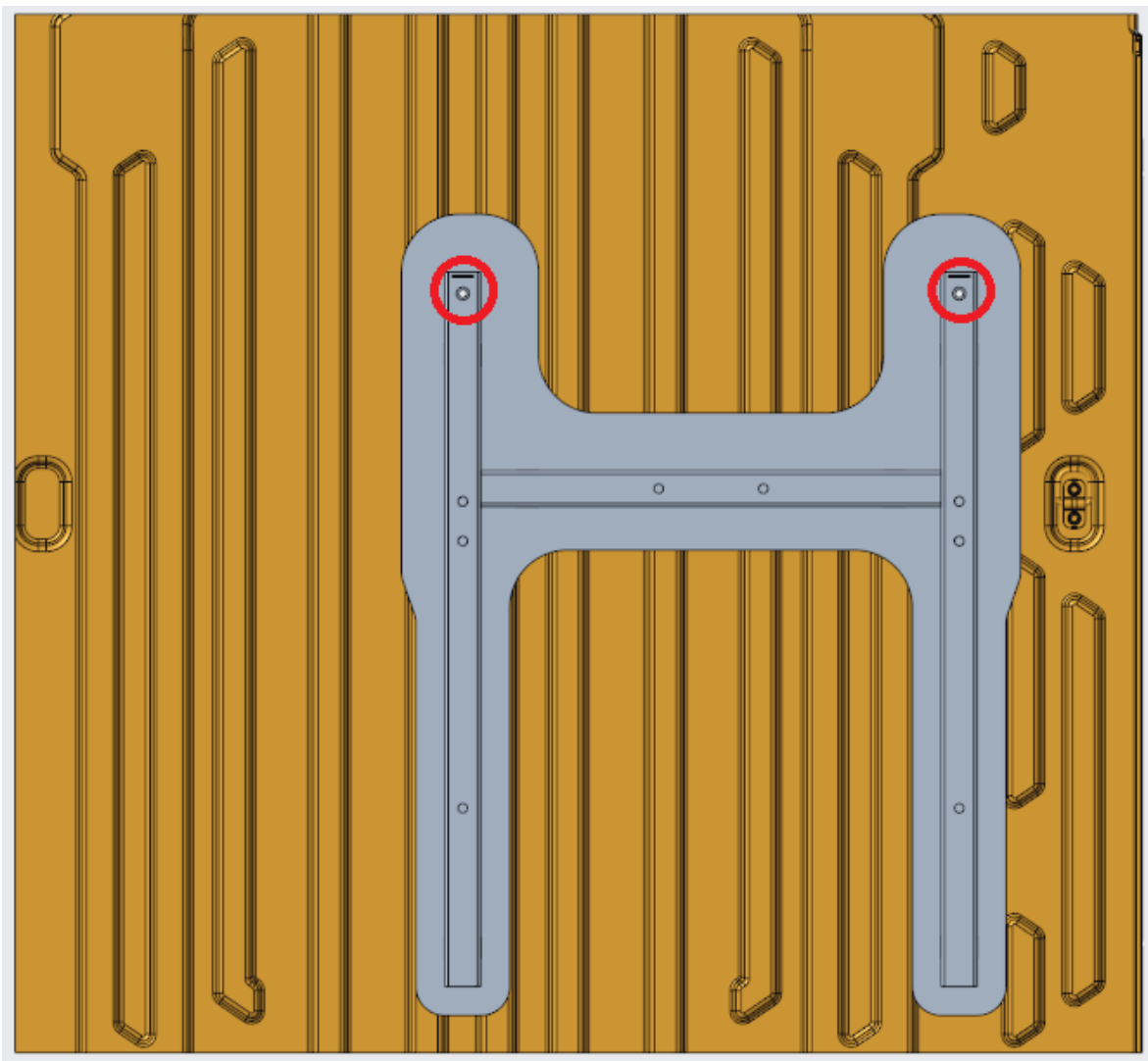


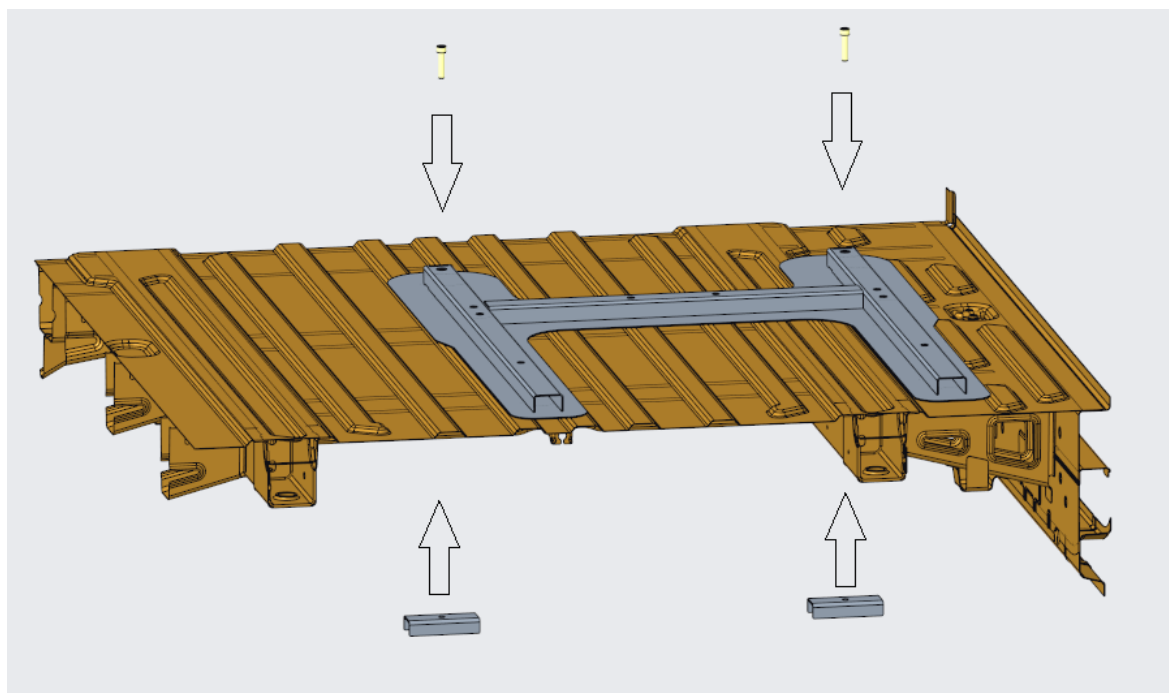
Place and glue the fixation plate to the desired location on the vehicle floor. Leave the floor for at least 24 h. Don't walk on the fixation plate and don't move the vehicle.



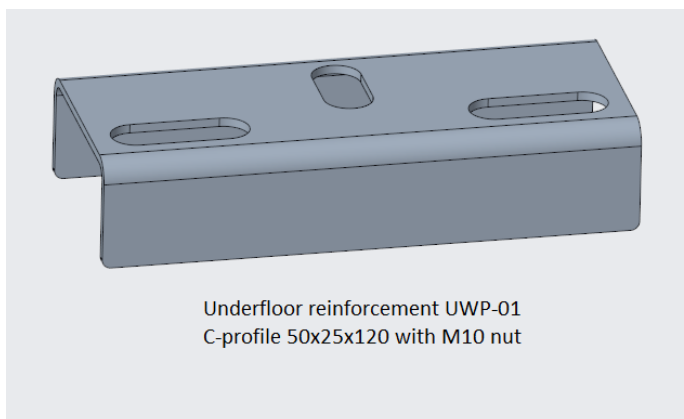
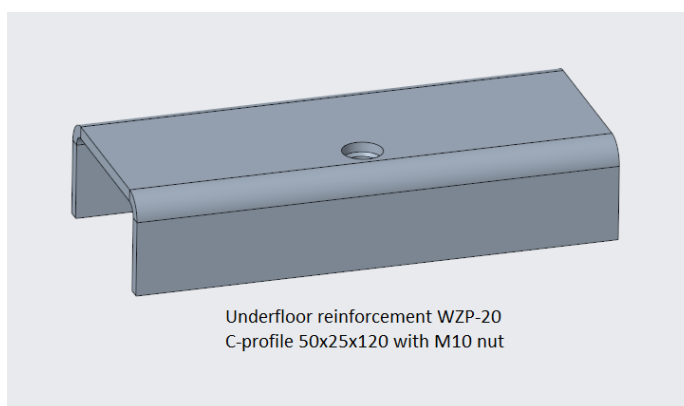
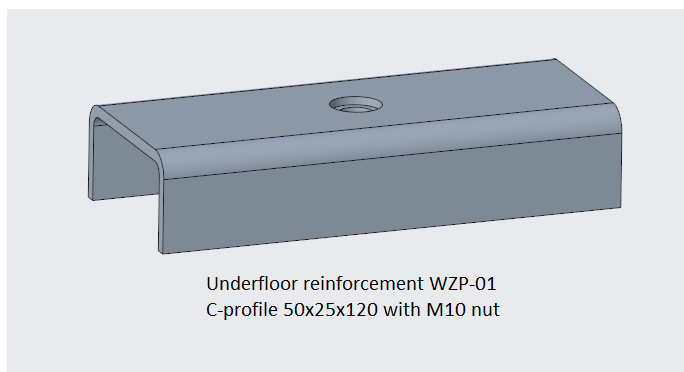
Step 4. Underfloor reinforcements

Drill holes $\phi 11$ in the vehicle floor according existing holes in fixation plate.





Screw the underfloor reinforcements. Tightening torque 30 Nm. Use liquid anaerobic glue to secure the bolts.



Underfloor reinforcement can be rotated by 90 degrees. Put the rubber blank plugs into the installation holes.